

Illustration - Type - E

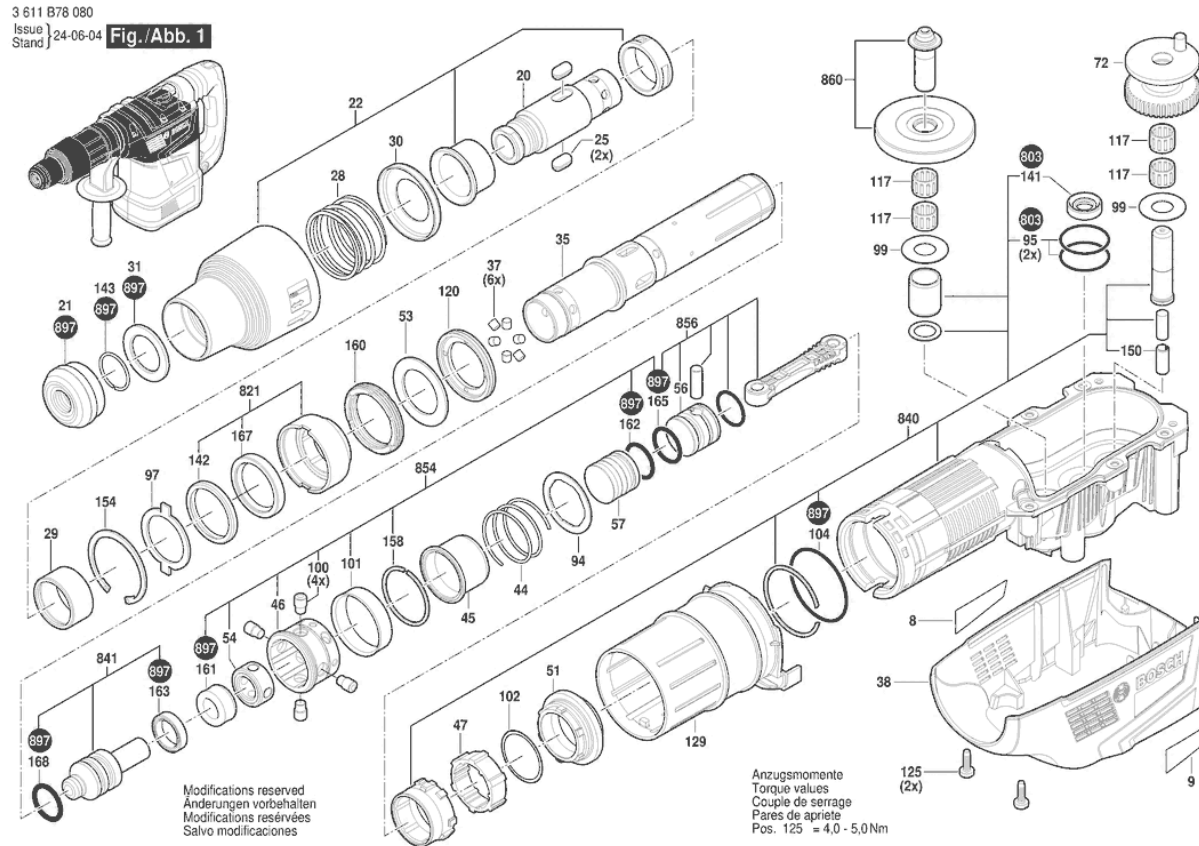


Illustration - Type - E

3 611 B78 080
 Issue 24-06-04
 Stand Fig./Abb. 2

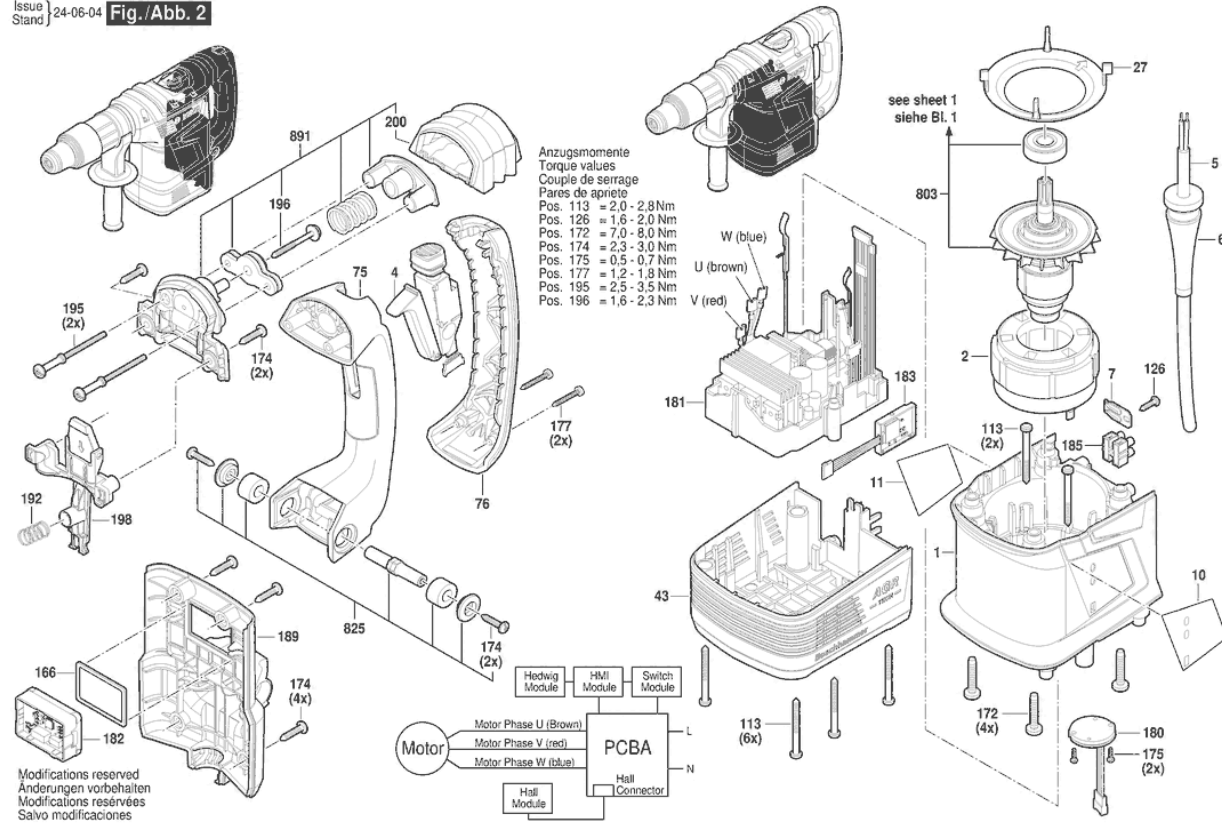
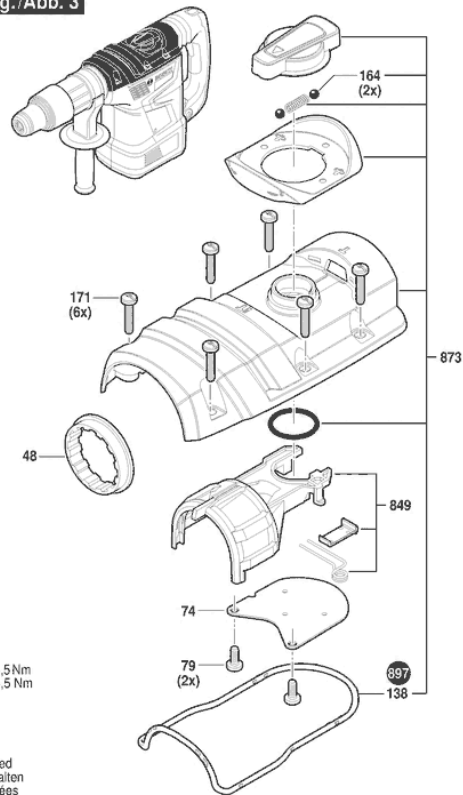


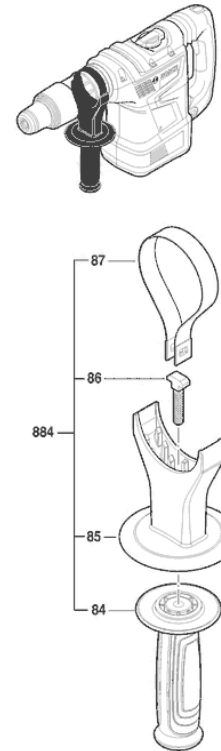
Illustration - Type - E

3 611 B78 080
 Issue | 24-06-04
 Stand | **Fig./Abb. 3**



Anzugsmomente
 Torque values
 Couple de serrage
 Pares de apriete
 Pos. 79 = 4,0 - 5,5 Nm
 Pos. 171 = 4,5 - 5,5 Nm

Modifications reserved
 Änderungen vorbehalten
 Modifications réservées
 Salvo modificaciones



Spare parts list

Item	Part Number	Description
8	1 619 PS0 803	Nameplate
9	1 619 PS0 811	Manufacturer's nameplate
20	1 619 PS0 814	Toolholder
21	1 619 P07 829	Protective Cap
22	1 619 P10 160	Protection Sleeve
25	1 619 P17 266	Stopping Device
28	1 614 621 000	Compression Spring
29	1 619 P10 163	Bushing
30	1 619 P10 162	Supporting Disc
31	1 619 P07 743	Supporting Disc
35	1 619 P14 626	Hammer Pipe
37	1 619 P10 377	Cylindrical Roller
38	1 619 PS0 816	Covering hood
44	1 619 P10 381	Compression Spring
45	1 610 499 070	Control Bushing
46	1 619 PS0 818	Perforated Ring
47	1 610 300 064	Gear Sleeve
51	1 619 P12 336	Crown Gear
53	1 610 290 068	Support Disc
54	1 619 P11 329	Guide Bushing
56	1 618 700 094	Hammer Piston
57	1 618 710 091	Striker
72	1 600 A01 4S9	Eccentric Cog Wheel
94	1 610 102 056	Friction Washer
95	1 610 210 173	O-Ring 32,0X1,5 MM
97	1 610 031 005	Locking washer
99	1 610 102 059	Support Disc
100	1 613 120 022	Driving Pin
101	1 619 P11 332	Retaining snap ring
102	1 610 102 057	Shim 0,3 MM
102	1 610 102 058	Shim 0,2 MM
104	1 610 210 160	O-Ring 52,0X2,0 MM
117	1 619 P07 713	Needle-Roller Assembly
120	1 610 590 019	Stop Sleeve

* Prices shown are net prices including VAT

Spare parts list

Item	Part Number	Description
125	1 613 435 014	Torx Oval-Head Screw M5X16-TORX,T25 SILVER
129	1 619 P10 181	Holding Sleeve
141	1 619 PS0 822	Rotary shaft lip seal
142	1 619 P10 106	Rotary shaft lip seal
143	1 614 601 021	Retaining ring DIN 7993-28X2
150	2 917 790 174	Slotted Spring Pin
154	2 916 660 023	Spring retaining ring DIN 472 52X2MM
158	1 614 601 070	Retaining ring
160	1 610 290 095	Damping Ring
161	1 600 A02 AM8	Damping Ring
162	1 610 210 204	O-Ring 22,5X3,5 MM
163	1 610 290 065	Seal Ring
165	1 610 210 079	O-Ring 22,0X4,0 MM
167	1 610 283 033	Rotary shaft lip seal
168	1 610 210 144	O-Ring 22,0X3,0 MM
803	1 619 PS0 501	Rotor
821	1 619 P10 749	Bushing
840	1 619 PS0 502	Impact Mechanism Housing
841	1 619 PS0 503	Striker Pin
854	1 619 PS0 504	Guide Bushing
856	1 619 PS0 505	Hammer Piston
860	1 619 P10 766	Spur Wheel Clutch
1	1 619 PS0 799	Motor Housing
2	1 619 PS0 800	Stator
4	1 619 PS0 801	Switch
5	1 614 460 040	Power supply cord
6	1 619 P07 722	Grommet
7	1 601 302 019	Fastening Clamp
10	1 619 PS0 812	Sticker
11	1 619 PS0 813	Sticker
27	1 619 PS0 815	Air-Deflector Ring
43	1 619 PS0 817	Fan Cover
75	1 619 PS0 820	Handle
76	1 619 PS0 821	Handle Cover

* Prices shown are net prices including VAT

Spare parts list

Item	Part Number	Description
113	3 603 435 037	Tapping Screw
126	2 603 490 022	Screw 4X16
166	1 619 PS0 823	Sealing Ring
172	1 613 435 013	Torx Oval-Head Screw M6X30-TORX,T30 SILVER
174	1 613 435 012	Torx Oval-Head Screw M4,8X25-TORX,T25 SILVER
175	1 619 P00 220	Torx Oval-Head Screw 3X10
177	1 619 P07 821	Screw SILVER
180	1 619 PS0 824	Electronic Module
181	1 619 PS0 825	Electronic Module
182	1 619 PS0 826	Electronic Module
183	1 619 PS0 827	Module
185	1 619 P11 754	Terminal Block
189	1 619 PS0 828	Bearing Pedestal
192	1 614 611 019	Compression Spring
195	1 613 490 015	Torx Oval-Head Screw
196	1 613 435 019	Screw and washer assembly
198	1 619 PS0 829	Control Lever
200	1 610 284 000	Bellows
825	1 619 PS0 512	Bearing Shaft
891	1 619 PS0 511	Spring Pack
48	1 616 334 012	Clutch Sleeve
74	1 619 PS0 819	Guide Plate
79	1 613 435 015	Torx Oval-Head Screw M5X12-TORX,T25 SILVER
84	1 602 025 09C	Auxiliary Handle
85	1 619 P07 774	Support clamp
86	1 613 490 002	T-Head Bolt M8X40 MM
87	1 619 P07 776	Clamping Band
138	1 619 P10 252	Sealing Frame
164	1 903 230 011	Ball DIN 5401-6 G28
171	1 613 435 016	Torx Oval-Head Screw M5X20-TORX,T25 SILVER
849	1 617 000 839	Control Fork
873	1 619 PS0 506	Housing Cover
884	1 619 PS0 507	Auxiliary Handle

* Prices shown are net prices including VAT

Spare parts list

Item	Part Number	Description
897	1 619 PS0 508	Wear and Tear Part Set

* Prices shown are net prices including VAT